

Hallicrafters, Inc.

Model: SX-28A

Chassis:

Year: Pre 1948

Power:

Circuit:

IF:

Tubes:

Bands:

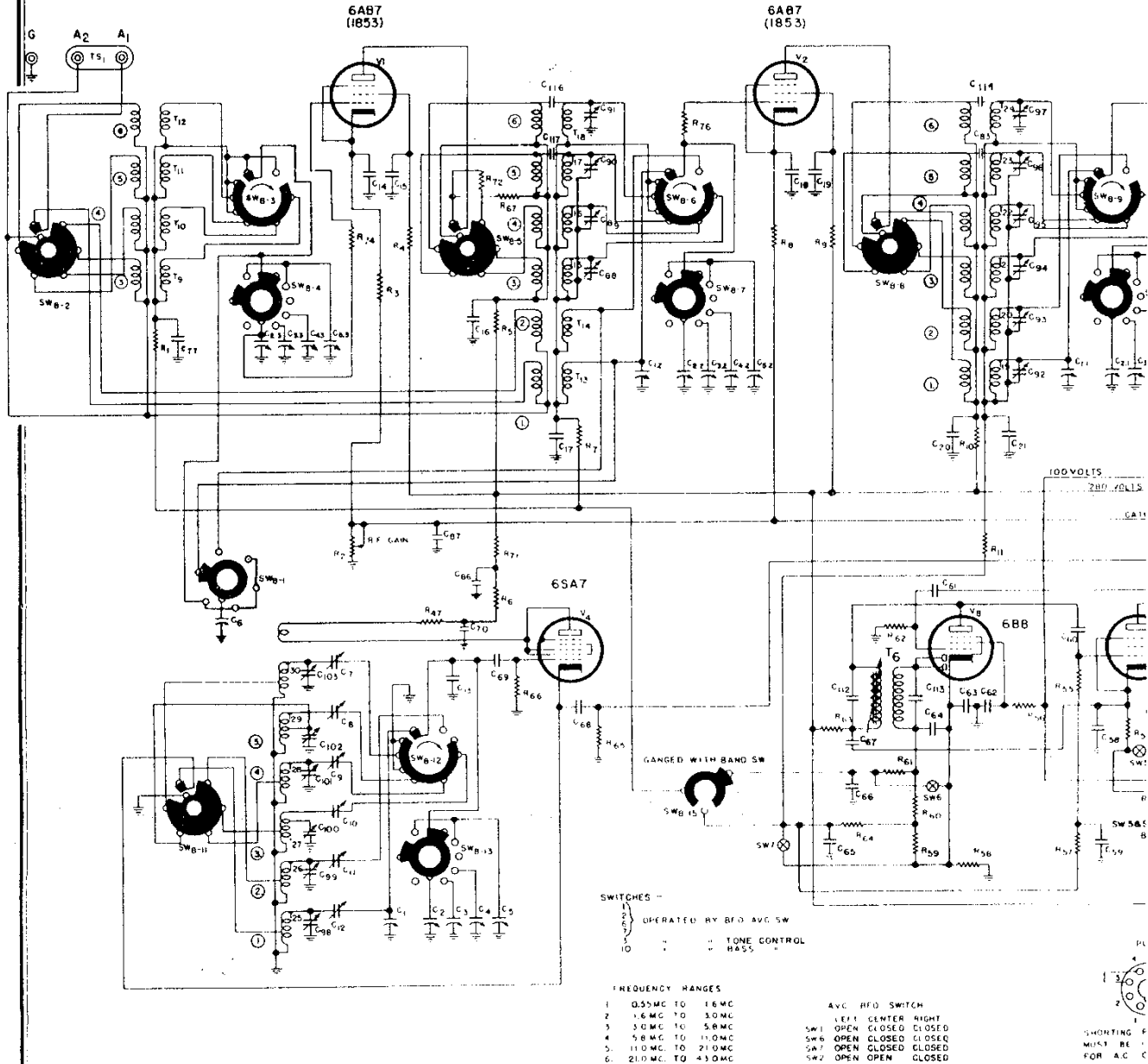
Resources

[Riders Volume 16 - HALLICRAFTERS 16-3](#)

[Riders Volume 16 - HALLICRAFTERS 16-4](#)

[Riders Volume 16 - HALLICRAFTERS 16-5](#)

[Riders Volume 16 - HALLICRAFTERS 16-6](#)



IF PEAK 455 KC

SWITCHES --
 OPERATED BY BFO AVC SW
 10 TONE CONTROL
 HBS5

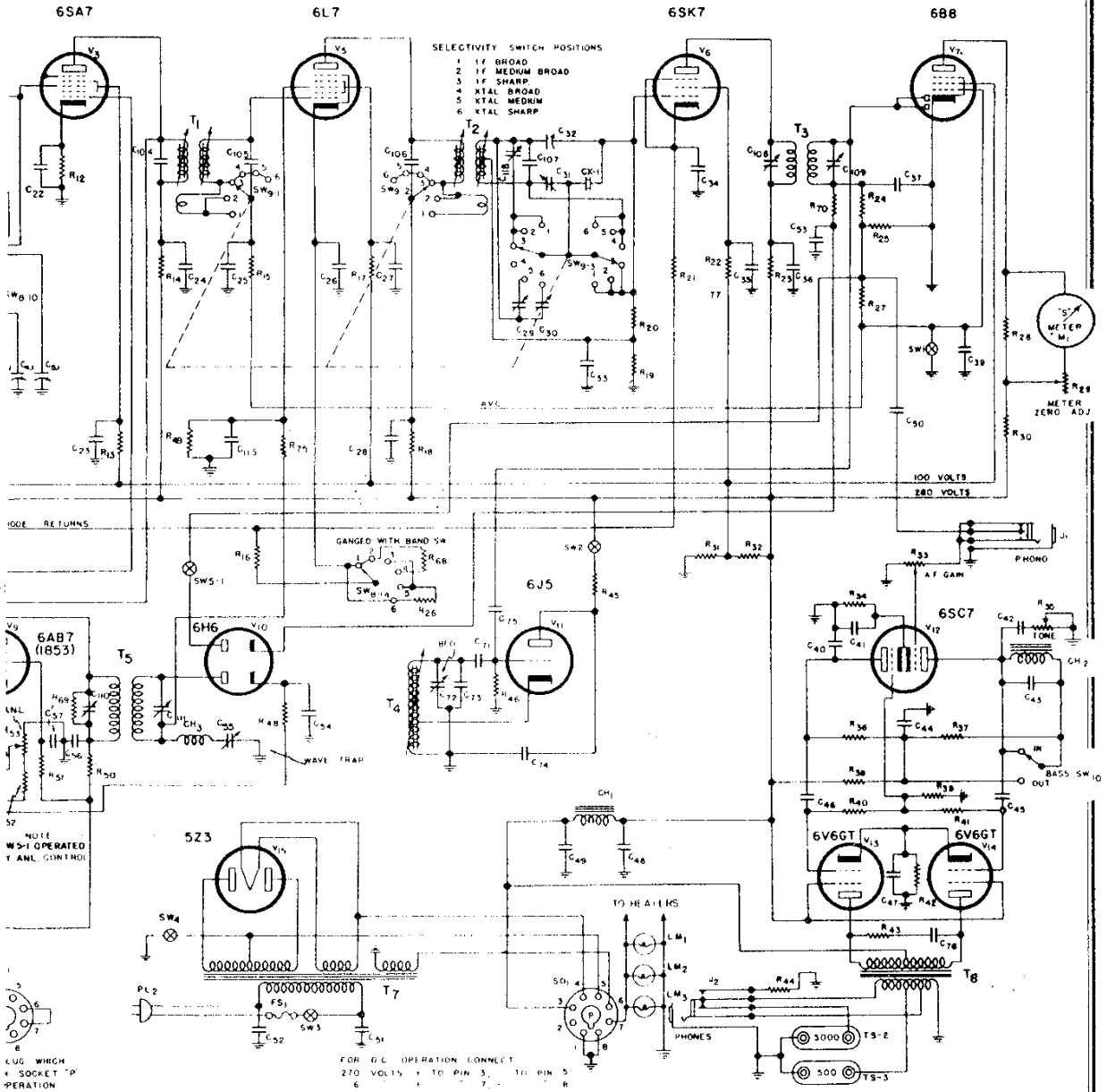
- FREQUENCY RANGES
- 1. 0.55 MC TO 1.6 MC
 - 2. 1.6 MC TO 3.0 MC
 - 3. 3.0 MC TO 5.8 MC
 - 4. 5.8 MC TO 11.0 MC
 - 5. 11.0 MC TO 21.0 MC
 - 6. 21.0 MC TO 43.0 MC

- AVC RFD SWITCH
- 1. B1 CENTER RIGHT
 - SW1 OPEN CLOSED CLOSED
 - SW6 OPEN CLOSED CLOSED
 - SW7 OPEN CLOSED CLOSED
 - SW2 OPEN OPEN CLOSED



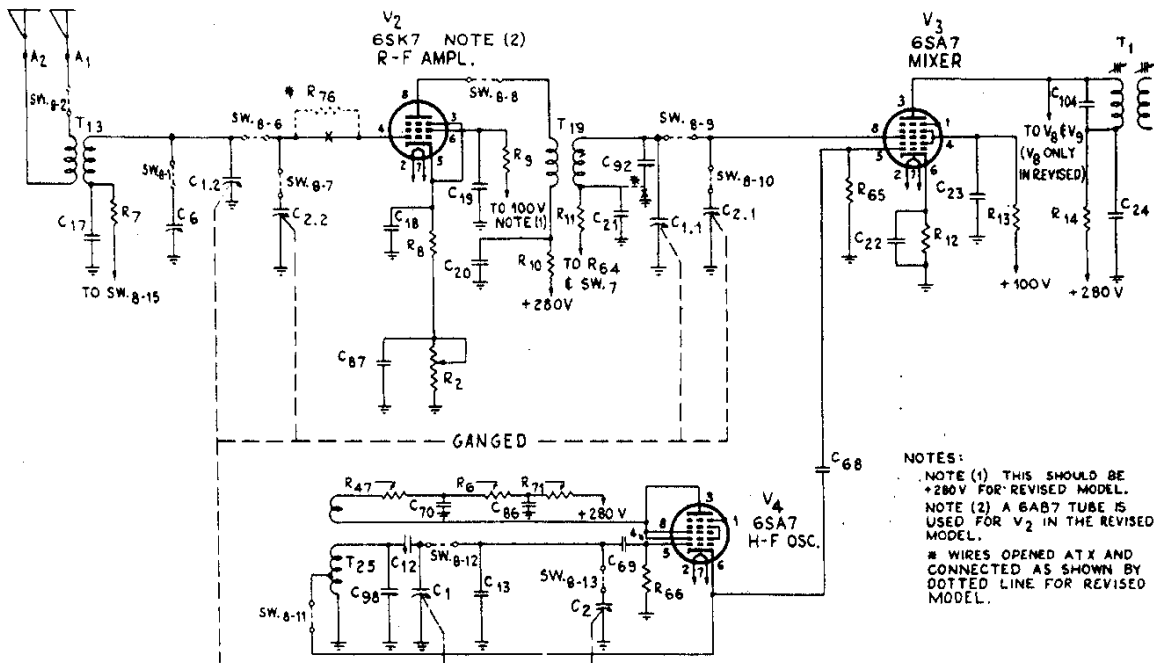
AFTERS CO.

MODEL SX-28A, Super Skyrider

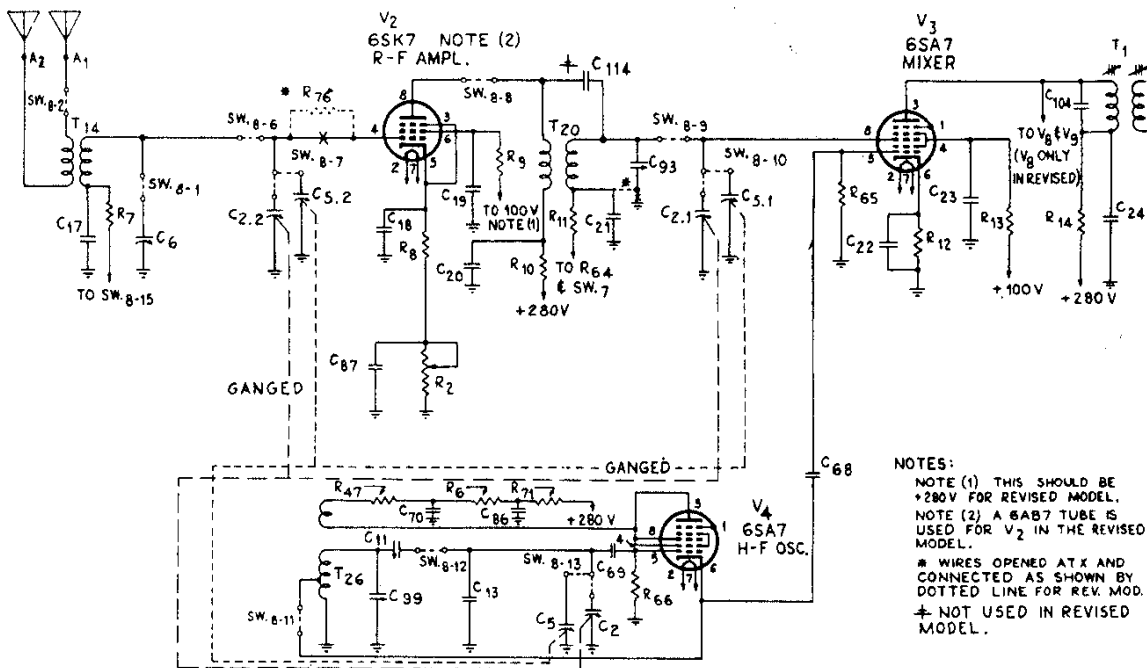


THE HALLICRAFTERS CO.

MODEL SX-28A,
Super Skyrider



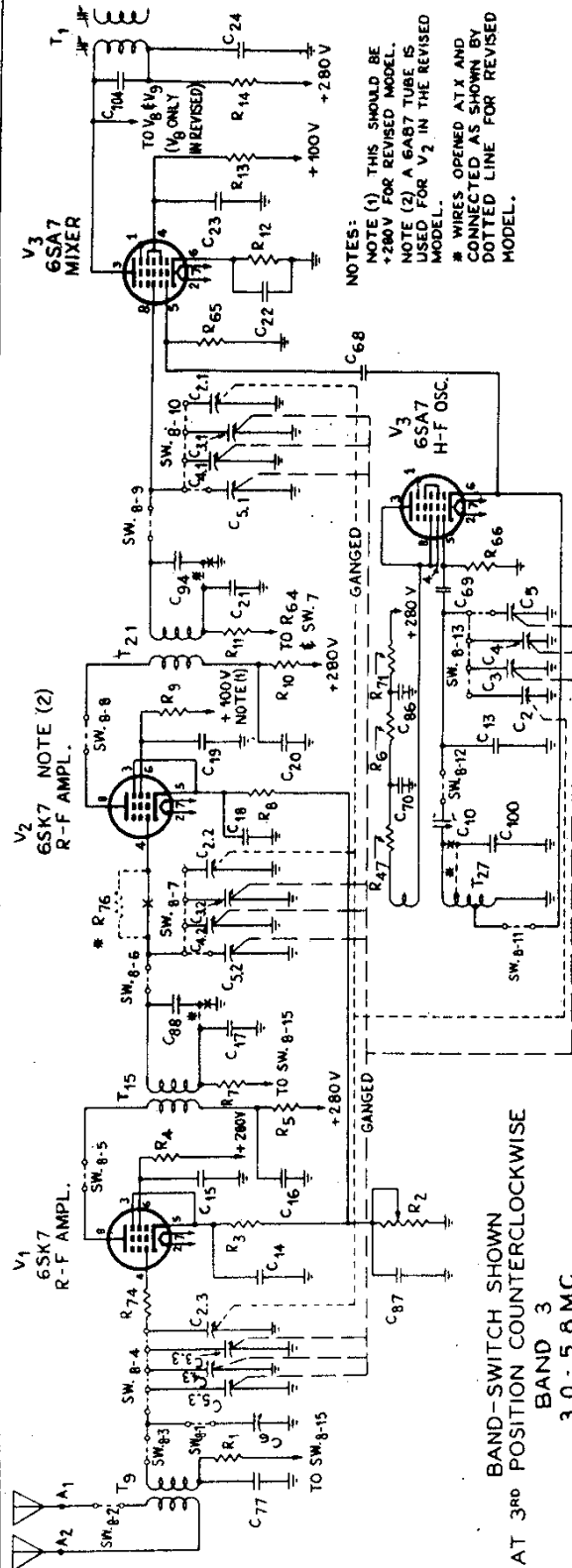
BAND-SWITCH SHOWN
AT 1ST POSITION
BAND 1 - BROADCAST
550-1600 KC.



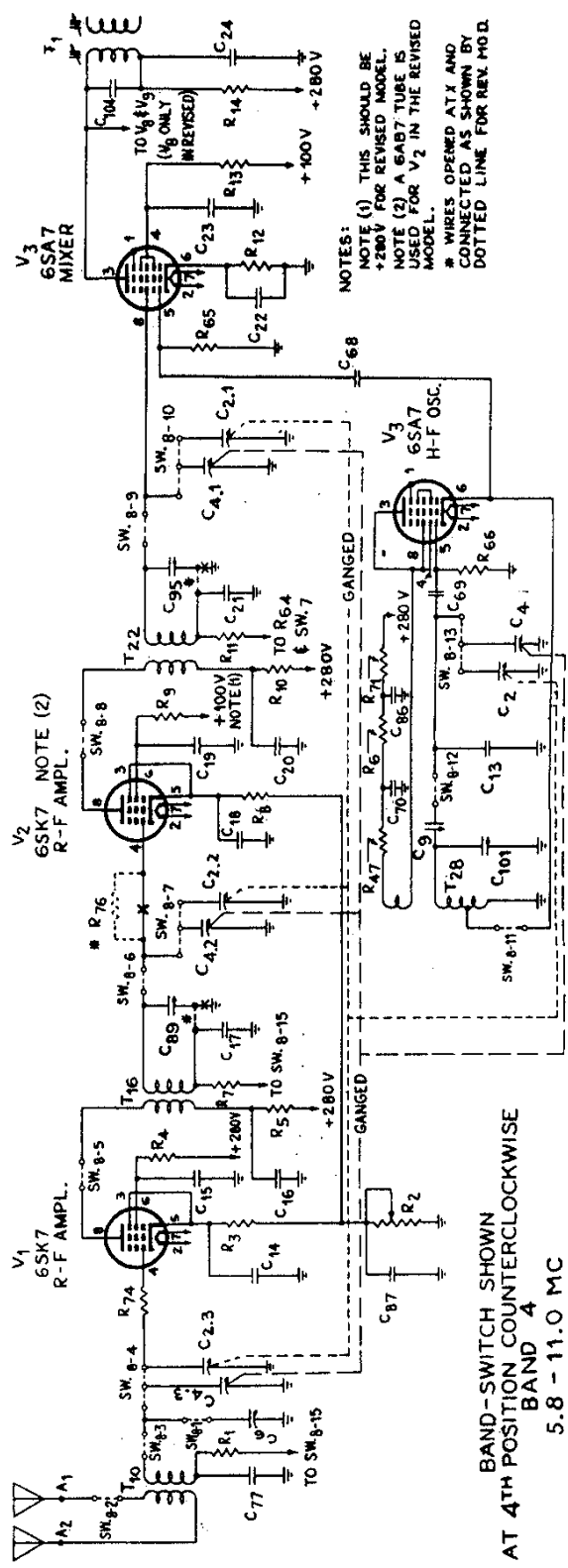
BAND-SWITCH SHOWN
AT 2ND POSITION COUNTERCLOCKWISE
BAND 2 - BROADCAST
1.6-3.0 MC.

MODEL 8X-28A,
Super Skyriider

THE HALLICRAFTERS CO.



BAND-SWITCH SHOWN
AT 3RD POSITION COUNTERCLOCKWISE
BAND 3
3.0 - 5.8 MC



BAND-SWITCH SHOWN
AT 4TH POSITION COUNTERCLOCKWISE
BAND 4
5.8 - 11.0 MC

NOTES:
NOTE (1) THIS SHOULD BE
+280V FOR REVISED MODEL.
NOTE (2) A 6AB7 TUBE IS
USED FOR V₂ IN THE REVISED
MODEL.
* WIRES OPENED AT X AND
CONNECTED AS SHOWN BY
DOTTED LINE FOR REVISED
MODEL.

NOTES:
NOTE (1) THIS SHOULD BE
+280V FOR REVISED MODEL.
NOTE (2) A 6AB7 TUBE IS
USED FOR V₂ IN THE REVISED
MODEL.
* WIRES OPENED AT X AND
CONNECTED AS SHOWN BY
DOTTED LINE FOR REV. MOD.